

#### Features

- 36" minimum base cabinet width.
- Large/medium bowls.
- 9" (229 mm) depth provides generous workspace.
- Smart Divide® feature offers a lower bowl divider that increases workspace versatility.
- Rear drain increases workspace in the sink and allows for more storage space underneath the sink.
- Includes a sink bridge utility shelf with dishcloth bar and a bottom sink rack.
- Includes installation hardware.
- Rounded 10mm corners are easy to clean.

#### Material

- Handcrafted from 16-gauge stainless steel.
- Premium 16-gauge stainless steel.

#### Installation

- Undermount.

#### Recommended Products/Accessories

- K-6647 Right-Bowl Sink Rack
- K-8801 Sink drain and strainer with tailpiece
- K-8799 Sink drain and strainer basket
- K-23726 Drain treatment
- K-23729 Stainless steel cleaner

#### Optional Products/Accessories

- K-11352 Disposal Flange with Stopper

#### Included Components

Product consists of:

- K-6429 Utility Rack
- K-6646 Left-Bowl Sink Rack

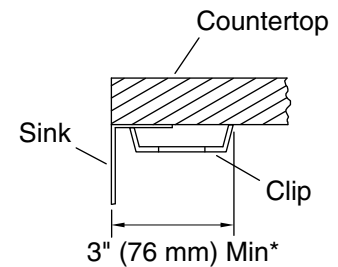
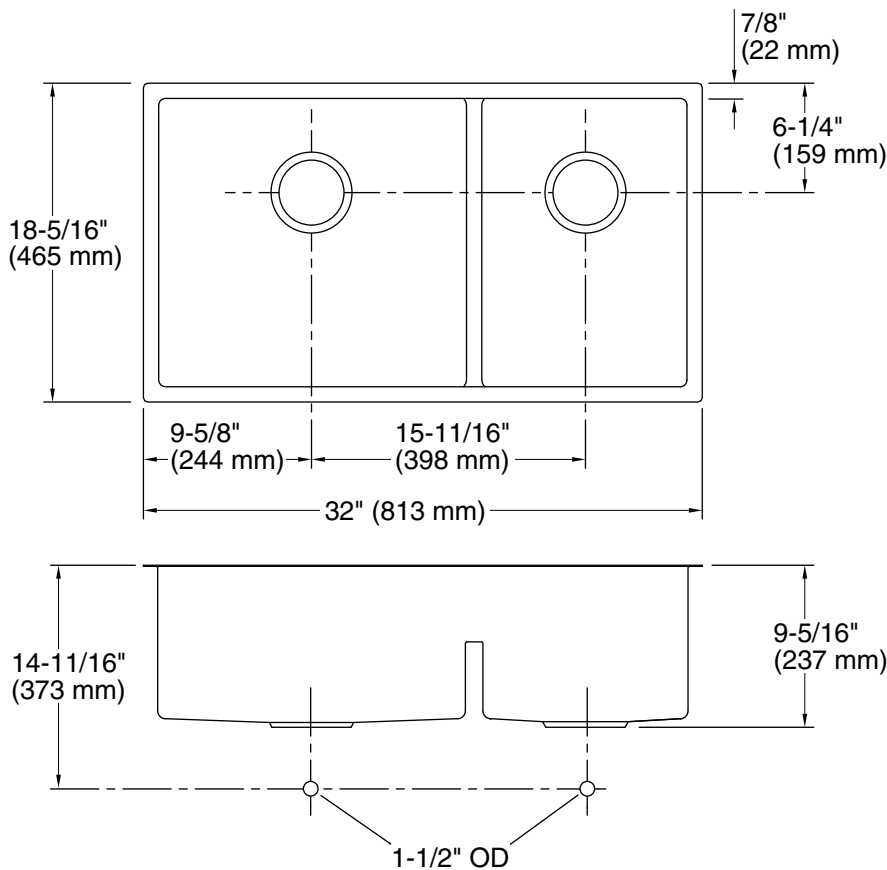


#### Codes/Standards

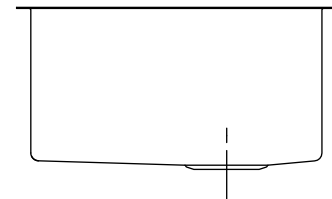
ASME A112.19.3/CSA B45.4

#### Lifetime Limited Warranty for KOHLER® Stainless Steel Sinks

See website for detailed warranty information.



\* Allow clearance around sink rim for clip attachment.



## Technical Information

All product dimensions are nominal.

Bowl configuration: Off-set Large/small

Installation: Under-mount

Min. base cabinet width: 36" (914 mm)

Bowl area (Left): Length: 17-1/2" (445 mm)  
 Width: 16-9/16" (420 mm)  
 Bowl depth: 9" (229 mm)  
 Water depth: 4-11/16" (118 mm)

Bowl area (Right): Length: 11-5/8" (295 mm)  
 Width: 16-9/16" (420 mm)  
 Bowl depth: 9" (229 mm)  
 Water depth: 4-11/16" (118 mm)

Drain hole: 3-3/4" (94 mm)

Template: 1207216-7, required, included

## Notes

Install this product according to the installation instructions.